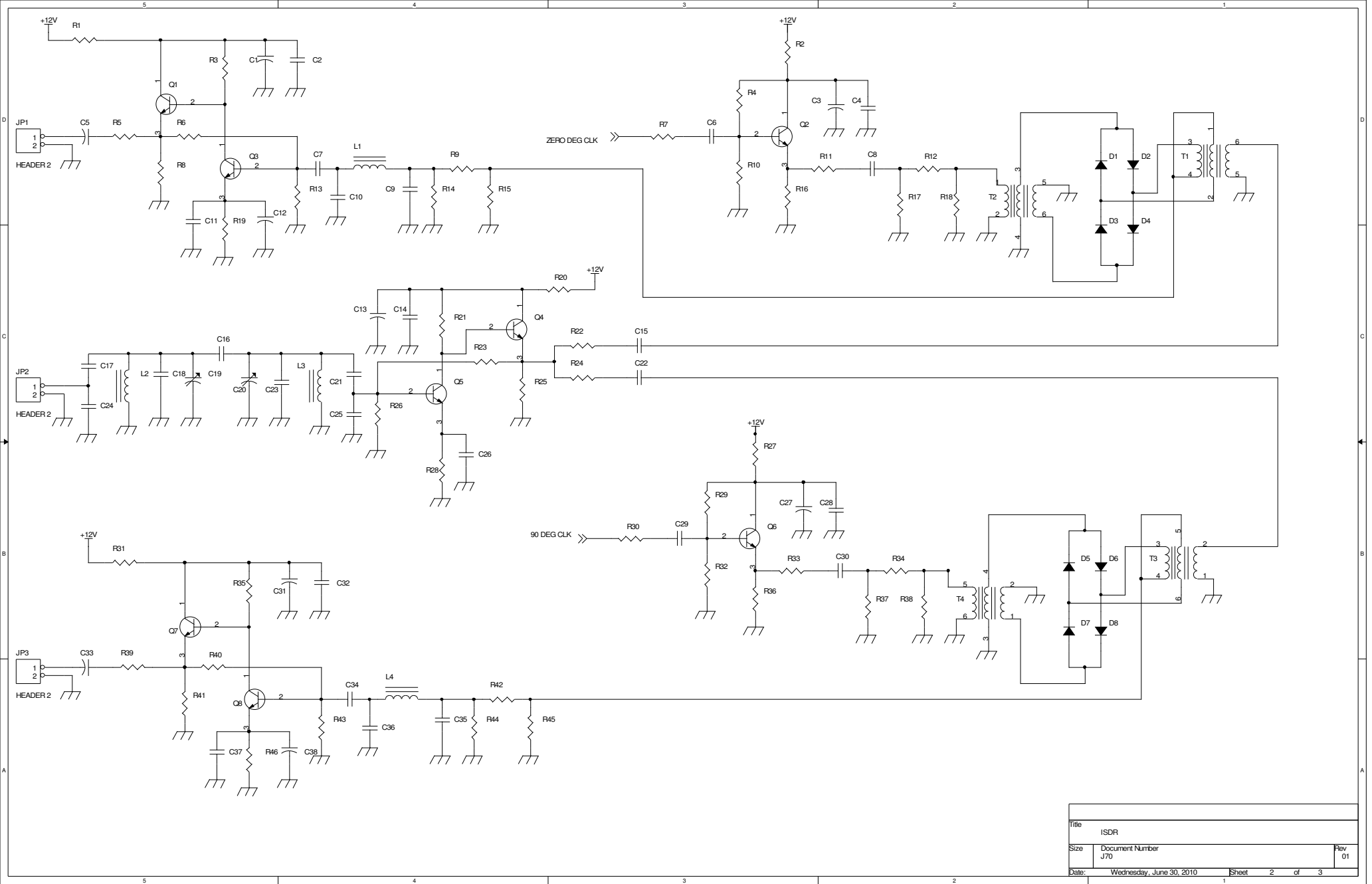


5
4
3
2
1

D
C
B
A

Title <Title>		
Size A	Document Number <Doc>	Rev <Rev Code>
Date:	Wednesday, June 30, 2010	Sheet 1 of 3



Title		
ISDR		
Size	Document Number	Rev
J70	J70	01
Date:	Wednesday, June 30, 2010	Sheet 2 of 3

